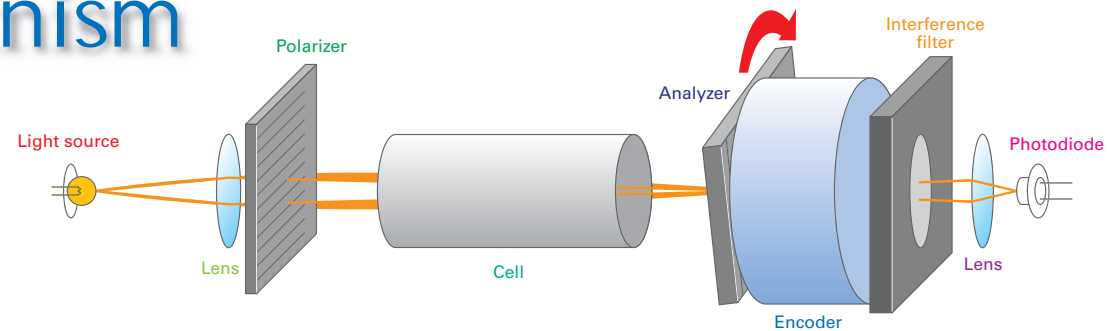


Here at last – the product of our uncompromising pursuit of ultimate usability.

- FDA 21 CFR Part 11 Software Included in Standard Delivery **NEW**
- Measurement stability in **12 seconds**
(4 seconds in the high-speed & consecutive measurement mode)
- Resolution of up to **4 decimal places**
- Repeatability of **±0.003°** Angle of Rotation and **±0.0090°Z**
- Up to **999** automatic consecutive measurements followed by average value display
- **Sleep & timer feature** to take measurement later at specified time
- Improved usability with the use of **touch screen** technology
- **Connectivity to RX Digital Refractometers** for automatic purity measurement



Mechanism



Specifications

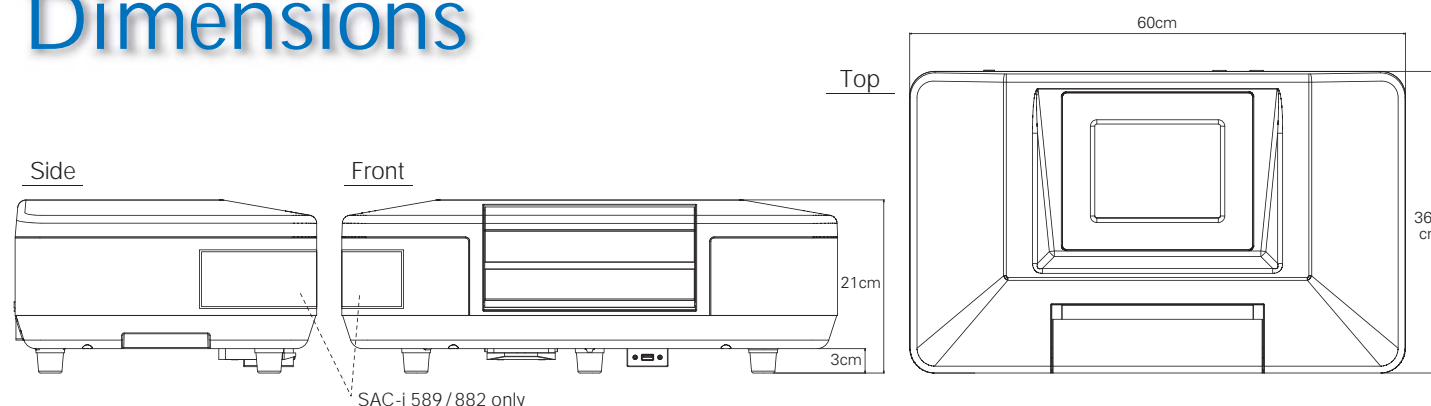
SAC-i Cat.No.5951	
Measurement accuracy	Angle of Rotation: ±0.002° (-5.0000 to +5.0000°) ±0.005° (-45.0140 to -5.0001°, +5.0001 to +45.0140°) International Sugar Scale: ±0.0150°Z (-130.0000 to +130.0000°Z) [Other ranges] Angle of Rotation: ±0.010° International Sugar Scale: ±0.0300°Z
Repeatability	±0.003° Angle of Rotation and ±0.0090°Z
Measurement wavelength	589nm (equivalent to the sodium-D line spectrum)
Light source unit	LED: 589nm interference filter

SAC-i 589/882 Cat.No.5952	
Measurement accuracy	589nm: Angle of Rotation: ±0.002° (-5.0000 to +5.0000°) ±0.005° (-45.0140 to -5.0001°, +5.0001 to +45.0140°) International Sugar Scale: ±0.0150°Z (-130.0000 to +130.0000°Z) [Other ranges] Angle of Rotation: ±0.010° International Sugar Scale: ±0.0300°Z 882nm: Angle of Rotation: ±0.005° (-19.3000 to +19.3000°) International Sugar Scale: ±0.0150°Z (-130.0000 to +130.0000°Z) [Other ranges] Angle of Rotation: ±0.010° International Sugar Scale: ±0.0700°Z
Polarizer	Glan Taylor Prism
Measurement wavelength	589nm (equivalent to the sodium-D line spectrum) 882nm (near infrared ray)
Light source unit	LED: 589nm interference filter, 882nm interference filter

* Checked by reading a standard quartz plate.

SAC-i series Common Specifications	
Measurement Scales	Angle of Rotation International Sugar Scale (without temperature compensation) International Sugar Scale (with Automatic Temperature Compensation) Specific Rotation Concentration Purity User scale Angle of Rotation of Quartz Plate (with Automatic Temperature Compensation) Temperature (°C/°F)
Measurement range	Angle of Rotation: -89.9999 to +90.0000° and -360.0000 to +360.0000° International Sugar Scale: -259.0000 to +259.0000°Z
Resolution	Angle of Rotation: 0.0001° International Sugar Scale: 0.0001°Z
Temperature compensation range	10 to 40°C
Temperature display accuracy	±0.2°C
Ambient temperature	Use the instrument where the temperature is between 10 to 40°C
Display method	7.5-inch color LCD + touch screen
Printer output	Digital printer DP-AD/DP-63 (sold separately) Output method: RS-232C (9 pin D-Sub male connector)
Data output to USB flash drive	CSV text file format
Communication with computer	Communication via: USB-Serial
Observation tube included	Observation tubes (100mm [5ml], 200mm [10ml])
Power supply	AC 100 to 240V, 50/60 Hz
Power consumption	140VA
Dimensions and weight	60x36.5x21cm, 20.0kg (main unit only)

Dimensions



All ATAGO polarimeters are designed and manufactured in Japan.

ATAGO CO., LTD.
http://www.atago.net/ overseas@atago.net

Headquarters: The Front Tower Shiba Koen, 23rd Floor
2-6-3 Shiba-koen, Minato-ku, Tokyo 105-0011, Japan
TEL : 81-3-3431-1943 FAX : 81-3-3431-1945

ATAGO U.S.A., Inc.	TEL : 1-425-637-2107	customerservice@atago-usa.com
ATAGO INDIA Instruments Pvt. Ltd.	TEL : 91-22-28544915, 40713232	customerservice@atago-india.com
ATAGO THAILAND Co., Ltd.	TEL : 66-21948727-9	customerservice@atago-thailand.com
ATAGO BRASIL Ltda.	TEL : 55 16 3913-8400	customerservice@atago-brasil.com
ATAGO ITALIA s.r.l.	TEL : 39 02 36557267	customerservice@atago-italia.com
ATAGO CHINA Guangzhou Co., Ltd.	TEL : 86-20-38108256	info@atago-china.com
ATAGO RUSSIA Ltd.	TEL : 7-812-777-96-96	info@atago-russia.com
ATAGO NIGERIA Scientific Co., Ltd.	TEL : 234-707-558-1552	atagonigeria@atago.net

* Specifications and appearance are subject to change without notice.



ATAGO products comply with HACCP, GMP, and GLP system standards.

ENV.08 | 15110000PP Printed in Japan

ATAGO®

SAC-i Cat.No.5951

SAC-i 589/882

Cat.No.5952

Automatic Polarimeter / Saccharimeter



SAC-i 589/882

It has become common that dark color - raw sugar samples are measured at 882nm without decolorization treatment.

SAC-i 589/882 can measure samples at both 589nm and 882nm by changing the optical units.

High Performance Sugar Analysis, Now Easier Than Ever.

ICUMSA compliant

FDA 21 CFR Part 11 compliant

JAN. 21, 2015 14:38 / PRESENT 20.0°C

ADMIN1	USER1
HONDA	SUZUKI
ADMIN2	USER2
ADMIN3	USER3
ADMIN4	GUEST
ADMIN5	

No. 0010-0001

10	589
09	589
08	589
07	589
06	589
05	1, 2015 14:36 A.R. 589 +34.64737 20.0
04	JAN. 21, 2015 14:35 A.R. 589 +34.644587 20.0
03	JAN. 21, 2015 14:35 A.R. 589 +34.64467 20.0
02	JAN. 21, 2015 14:35 A.R. 589 +34.644587 20.0
01	JAN. 21, 2015 14:02 ZERO 589 ZERO SET END 20.0

◀ 001 ▶

